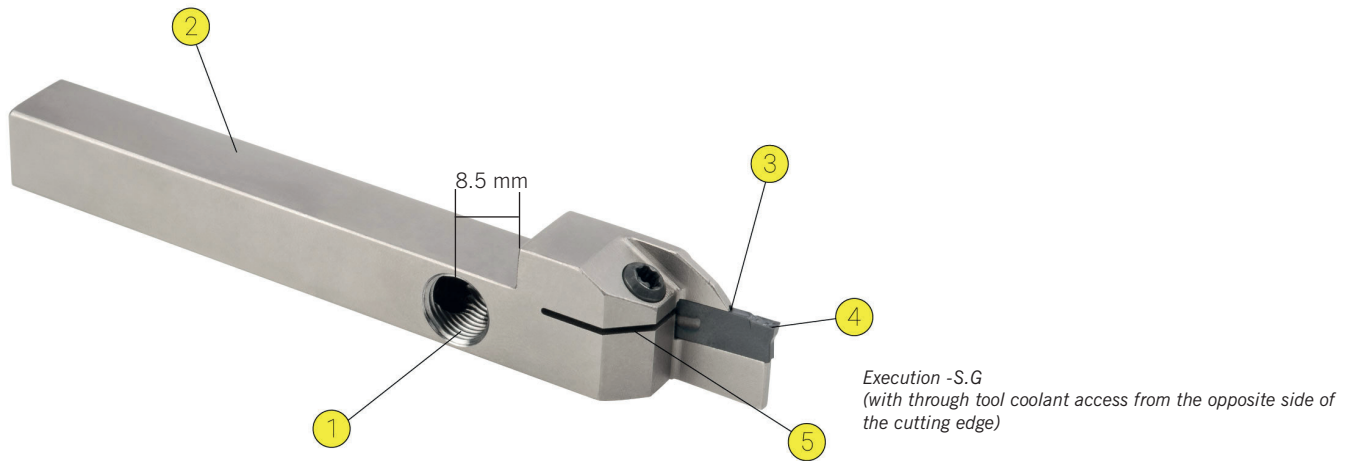


**Monoblock holder HSA-S-ACS1-S / S.G**  
**Monoblock holder HSE-S-ACS1-S / S.G**

for sliding-head auto lathes



- ① Fixed coolant port. No need for modification of coolant hoses.
- ② Monoblock holder: reliable and easy to use
- ③ **ARNO-ACS cooling system:** Special coolant system ensures the flow directly under the swarf
- ④ Double edged inserts for all established materials and applications: high productivity
- ⑤ 30° clamping: comfortable insert change

## FEATURES

- For sliding head auto lathes - mass production components, e.g. in medical-, automotive-, aerospace-engineering etc.
- No sub-construction
- Due to the 30° clamping of the insert easy insert changing!
- ACS1- special coolant system ensures flow directly under the swarf and increases productivity considerably
- Execution -S. – with coolant access on the same side as the cutting edge
- Execution -S.G – with coolant access on the opposite side of the cutting edge
- Fixed coolant port (8.5mm from the head to the thread on the side)
- No need for modification of coolant hoses in the working chamber
- Special dimensions possible